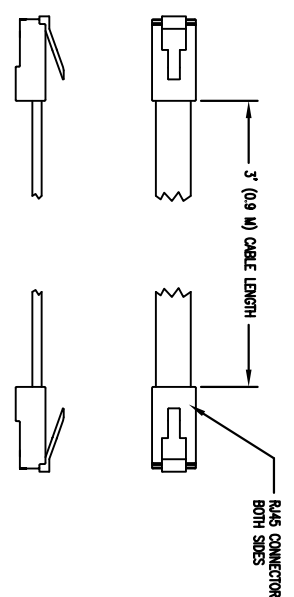
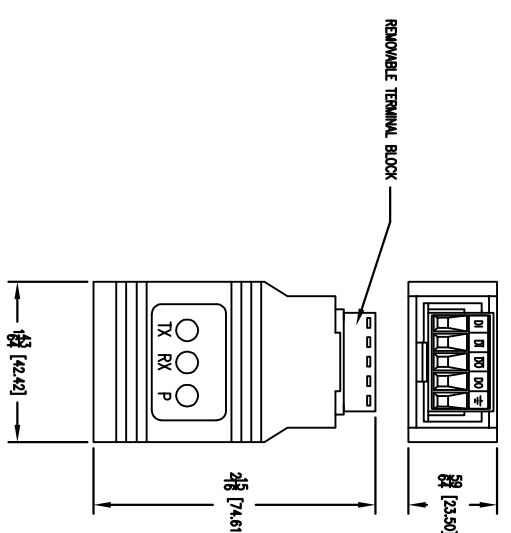


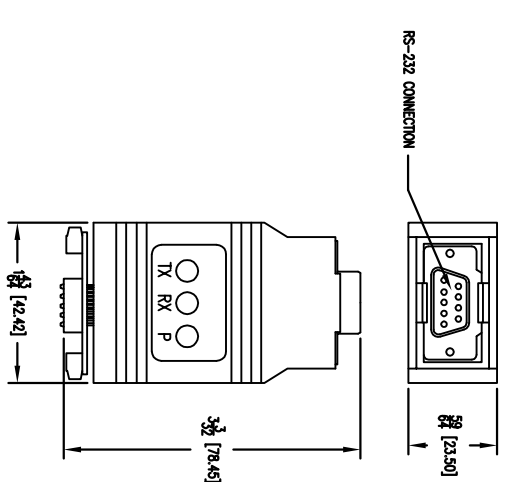
PMA-01
RS-232C
SERIAL ADAPTER



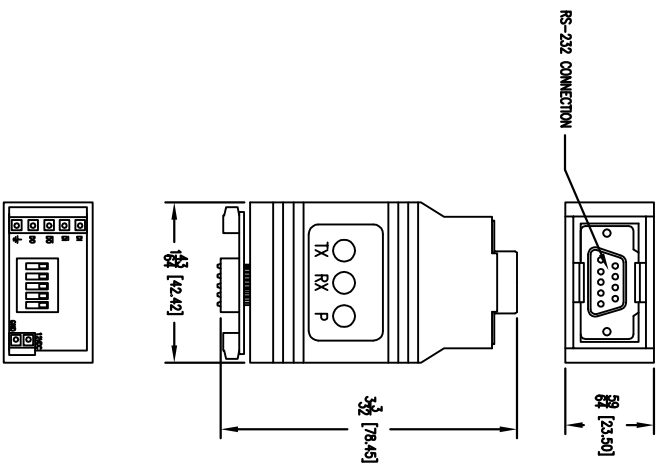
PMA-02
4-LEAD COPR. CABLE



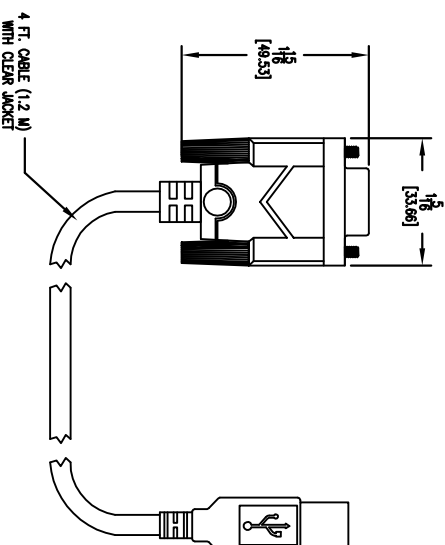
PMA-03
RS-232C
SERIAL ADAPTER



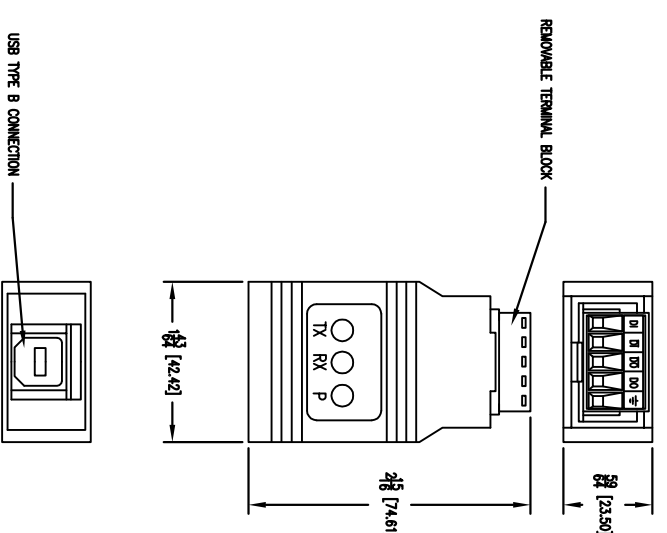
PMA-04
RS-232 TO RS-422/485
ISOLATED CONVERTER



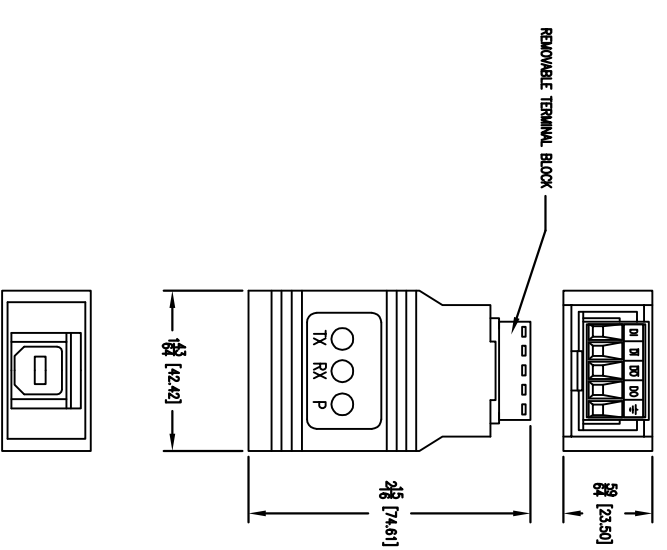
PMA-05
RS-232 TO RS-422/485
NON-ISOLATED CONVERTER



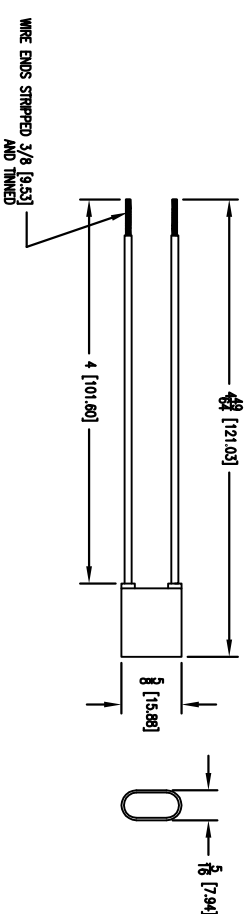
PMA-06
RS-232
NON-ISOLATED CONVERTER



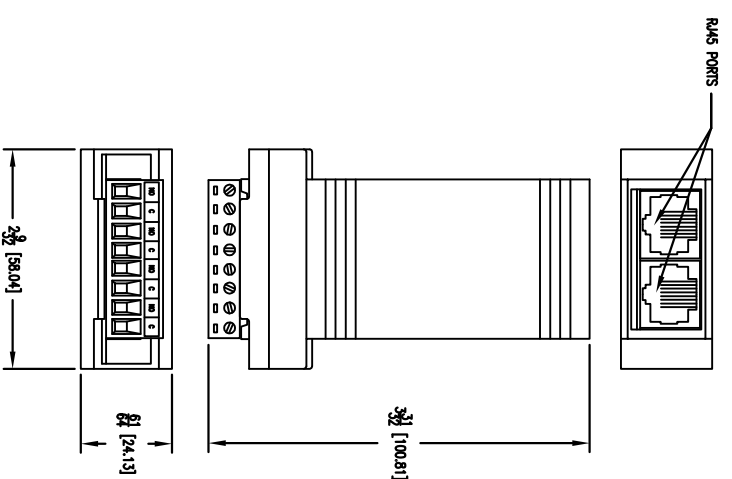
PMA-07
USB TO RS-422/485
ISOLATED CONVERTER



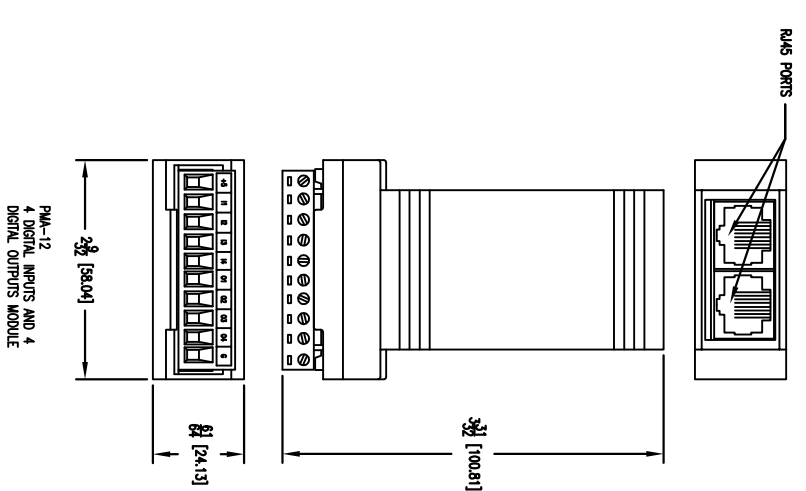
PMA-08
USB TO RS-422/485
CONVERTER



PMA-09
SNIFFER



PMA-11
4-BIT/8V EXPANSION MODULE



PMA-12
4 DIGITAL INPUTS AND 4
DIGITAL OUTPUTS MODULE

PMA SERIES		DATE	NAME	NO.
		DWYV BY		
		CHKD		
		APPD		
CHANGES		BY/DATE		
ACAD2002				3
FR. NO.		<p>NOTICE: This drawing and the principles and elements of design embodied therein are the exclusive property of DWYER INSTRUMENTS, INC. and are made public for examination without the written consent of said corporation.</p>		
MATERIAL		<p>⊕ = CRITICAL DIMENSION STANDARD TOLERANCES UNLESS NOTED: ALL DECIMAL DIMENSIONS ± .005 ALL ANGLES ± 1°</p>		
FINISH		<p>DWYER INSTRUMENTS, INC. MICHIGAN CITY, INDIANA 46360 U.S.A.</p>		