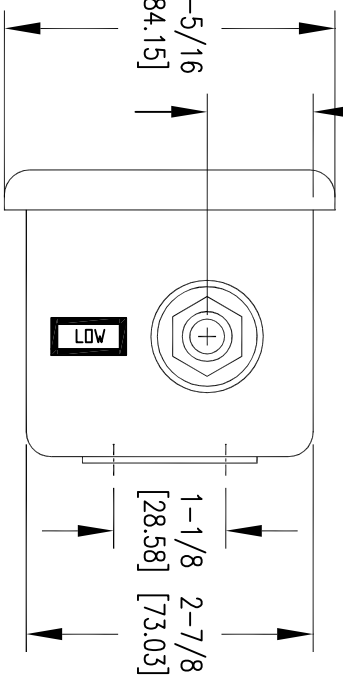


(4) 1/4 [6.35] LONG X 7/32 [5.56] WIDE MOUNTING HOLES

1-1/16 [26.97] TYP



SCALE 1:2

STANDARD TOLERANCES UNLESS NOTED:
ALL DECIMAL DIMENSIONS ± .005
ALL ANGLES ± 1°

NO.	CHANGES	BY/DATE	APPD	NAME	647 TRANSMITTER	MATERIAL	FINISH	FR. NO.
		DATE	DWN BY					

NOTICE: This drawing and the principles and elements of design embodied therein are the exclusive property of DWYER INSTRUMENTS, INC. and are not to be communicated, disclosed, reproduced or used except as previously authorized in writing by such corporation and must not be submitted to outside parties for examination without the written consent of said corporation.